



PARTS CATALOG

STD版

ロビンエンジン  
**Robin Engines**

*Model*

**EY20V**

FUJI HEAVY INDUSTRIES LTD.

 富士重工業株式会社

ISSUE EMD - EP5343

ISSUE DATE 1991.2

# 1) 収録内容(Contents)

このパーツカタログは、下記に示す、製品に使用している補修用部品を収録したものです。

This parts catalog lists repair/service parts employed in the products shown below:

| 製品番号<br>SPEC No. for D type | 表示形式<br>Remarks                       |
|-----------------------------|---------------------------------------|
| EY200VV0030                 | V形STD (V type STD) 輸出用 (for EXPORT)   |
| EY200VV5000                 | ハンド スロットル 仕様 (for HAND THROTTLE type) |

## (注意)

1. このパーツカタログ発行以降、改訂版カタログが随時発行されますので、必ず最新版カタログをご使用下さい。又、PROD.No.不記載のエンジンについては、総合版カタログを参照して下さい。なお最新版カタログ及び、総合版カタログは最寄りの部品特約店又は、部品販売店からお買い求め下さい。
2. 本カタログの記載部品は、予告なしに削除・変更・非販売とする場合がありますので、あらかじめご承知下さい。

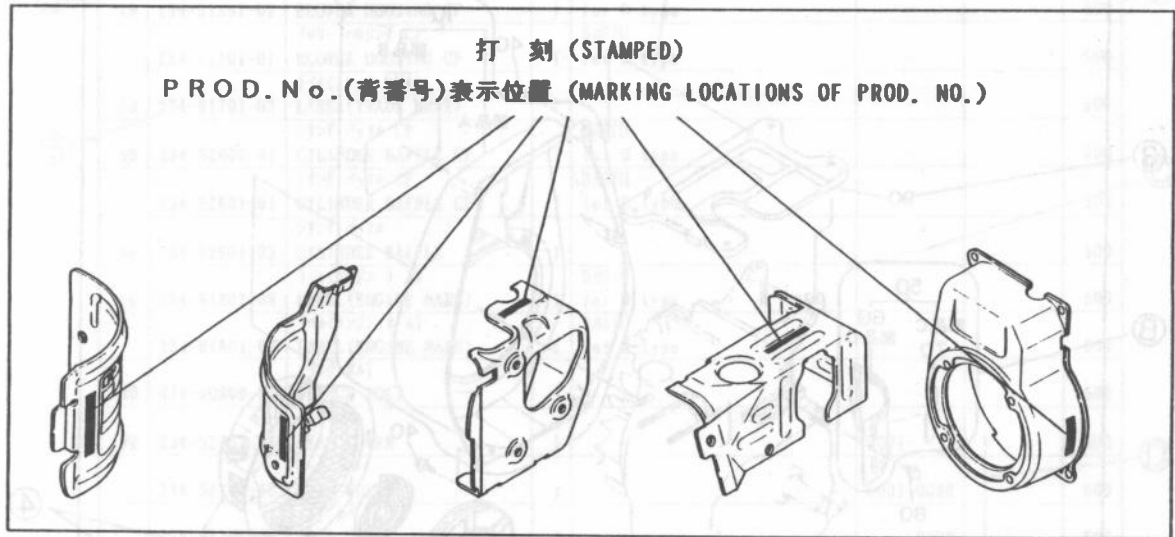
## 【Notes:】

1. You are requested to use the latest revision of the parts catalogue to be issued from time to time. For the engines without bearing PROD. No., refer to the general catalog. The latest and general catalogues are available at your nearest part dealer.
2. Please note that the parts listed in this catalog may be deleted, changed and suspended supply without prior notice.

## 2) PROD.No.(背番号)の確認方法

### How to check PROD. No.

PROD.No.(背番号)は、下記により確認して下さい。  
Check PROD. No. as illustrated below.



PROD.No.(背番号)15桁は、シリンダーパッフル上に打刻、又はブローハウジングなど見易い位置にラベルの貼付など、いずれかで表示されています。

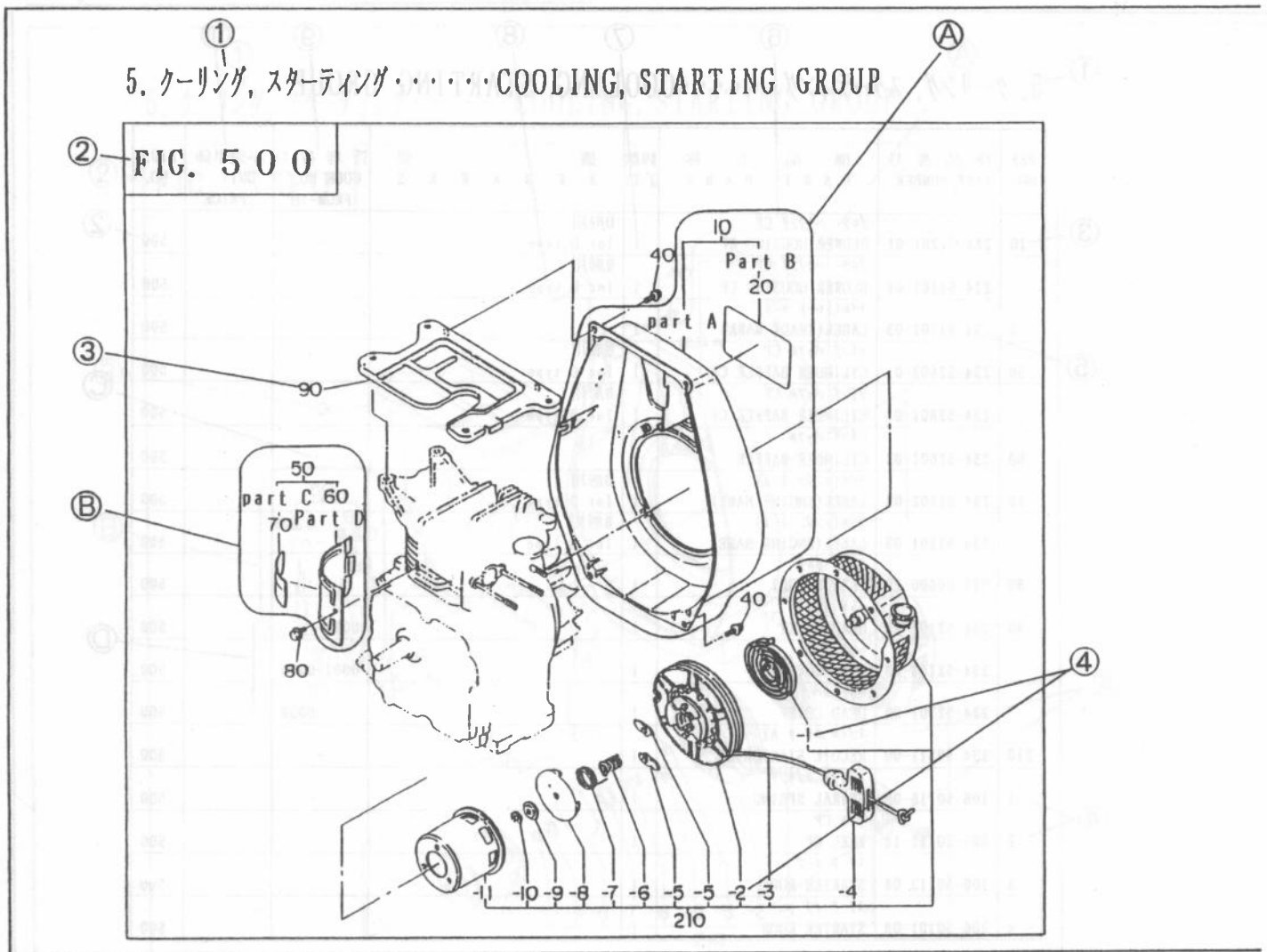
PROD.No. with 15 characters is marked either by stamping on the cylinder buffle or by sticking label to easily visible locations such as on the blower housing.

PROD.No.(背番号)  
表示例  
Marking example

PROD.No.OOΔΔΔ□□□□□□XXXX

PROD.No.OOΔΔΔ□□□□□□  
XXXX

### 3)How to find the part of your need



Note that some of the parts shown may be somewhat different from their actual shape and location, since the illustrations on this catalog are intended to provide ordering information.

#### 【Terms】

- ① Group.....Parts are classified into functional group. Make sure by referring to the group index for specific group.
- ② Fig. No.....Indicates illustration number and corresponds to the FIG. No. in the list.
- ③ Ref. No.....Corresponds to the REF. No. in the list.  
Example ① .....The part indicated by Ref. No. 10 consists of part A and B. Part A is available either in the form of assembly of Ref. No. 10(A<sub>Y</sub>) or complete unit of part A(C<sub>P</sub>). Part B is available as the part itself.
- Example ② .....Part C and D are available either in the form of assembly of Ref. No. 50(A<sub>Y</sub>) or complete unit(C<sub>P</sub>). Both are also available as the part itself.
- ④ Sub-divided Ref. No.....Corresponds to the sub-divided part of REF. No. in the list. It is preceded by a dash '-' such as "-1" and "-2".

① 5. クーリング, スターティング ..... COOLING, STARTING GROUP

| REF NO. | 部品番号<br>PART NUMBER | 部品名称<br>PART NAME                   | 数量<br>QTY | 摘要<br>REMARKS     | 管理番号<br>CODE NO.<br>FROM-TO | 小売単価<br>UNIT PRICE | FIG. NO. |
|---------|---------------------|-------------------------------------|-----------|-------------------|-----------------------------|--------------------|----------|
| ③ 10    | 234-51201-01        | ブローハウジング CP<br>BLOWER HOUSING CP    | 1         | D形用<br>for D type | -                           |                    | 500 ②    |
|         | 234-51101-01        | ブローハウジング CP<br>BLOWER HOUSING CP    | 1         | B形用<br>for B type | -                           |                    | 500      |
| 20      | 234-91701-03        | ラベル(トレードマーク)<br>LABEL (TRADE MARK)  | 1         |                   | -                           |                    | 500      |
| ⑤ 50    | 234-52602-01        | シリンダバフフル CP<br>CYLINDER BAFFLE CP   | 1         | D形用<br>for D type | -                           |                    | 500      |
|         | 234-52601-01        | シリンダバフフル CP<br>CYLINDER BAFFLE CP   | 1         | B形用<br>for B type | -                           |                    | 500 ④    |
| 60      | 234-52601-03        | シリンダバフフル<br>CYLINDER BAFFLE         | 1         |                   | -                           |                    | 500      |
| 70      | 234-91802-03        | ラベル(エンジンネーム)<br>LABEL (ENGINE NAME) | 1         | D形用<br>for D type | -                           |                    | 500      |
|         | 234-91801-03        | ラベル(エンジンネーム)<br>LABEL (ENGINE NAME) | 1         | B形用<br>for B type | -                           |                    | 500      |
| 80      | 011-00600-20        | フランジボルト<br>FLANGE BOLT              | 1         |                   | -                           |                    | 500      |
| 90      | 234-52701-23        | ヘッドカバー<br>HEAD COVER                | 1         |                   | 0091-                       | }                  | 500 ④    |
|         | 234-52701-13        | ヘッドカバー<br>HEAD COVER                | 1         |                   | 0001-0090                   |                    | 500      |
|         | 234-52701-03        | ヘッドカバー<br>HEAD COVER                | 1         |                   | -0000                       |                    | 500      |
| 210     | 234-50211-00        | リコイルスタータ AY<br>RECOIL STARTER AY    | 1         |                   | -                           |                    | 500      |
| ④ 1     | 106-50116-08        | スパイラルスプリング<br>SPIRAL SPRING         | 1         |                   | -                           |                    | 500      |
| - 2     | 207-50122-18        | リール CP<br>REEL CP                   | 1         |                   | -                           |                    | 500      |
| - 3     | 106-50113-08        | スターロープ<br>STARTER ROPE              | 1         |                   |                             |                    | 500      |
| - 4     | 206-50101-08        | スターノブ<br>STARTER KNOB               | 1         |                   |                             |                    | 500      |

- ⑤ PART NUMBER.....Exclusive part number assigned to the part used in the applicable product.
- ⑥ PART NAME.....Shows relevant part name with supplementary description such as part's dimensions.
- ⑦ Q'ty.....Number of the part employed in the applicable product.
- ⑧ REMARKS.....Provides supplementary information such as applicable type, features of the part and additional description to the PART NAME column.
- ⑨ CODE No.....Indicates modification records and provides identification of the part used in the items with PROD. No. by referring to the CODE No.

Example ③

- | ..The part has been continuously used in the applicable product regardless of CODE No..

Example ④

0091- | ..Part used in the products with code number after 0091.  
0001-0090 | ..Part used in the products with code number between 0000 and 0090.  
- 0000 | ..Part used in the products with code number before 0000.

⑩ UNIT PRICE.....Price per piece.

[Note] Engines with a code number before 0001 and without PROD. No. stamped are separately under control according to their serial numbers as before.

## 4) 部品番号の引き方

### How to identify part number

部品名称や形状、仕様箇所がわかっていて正しい部品番号を知りたい場合。

When identifying correct part number with its name, shape, location of the part informed;

シリンダバッフルに打刻又は、製品に貼付されているラベルにより PROD. No. (背番号)を確認して下さい。

Confirm PROD. No. from the label stuck on the product or from the characters stamped on the cylinder baffle.

グループインデックスによりグループイラスト番号 (Fig. No.) のページを見つけて下さい。

Locate the page including Fig. No. by referring to the group index.

イラストより該当する分解イラスト (Ref. No.) を確認して下さい。

Confirm the applicable Ref. No. from the illustration.

該当する本文リストから必要とする部品の分解イラスト (Ref. No.) を見つけ部品名称欄の製品番号から該当する製品の部品番号を見つけて下さい。又、その他摘要欄からサイズなど必要な情報も得ることができます。

Locate the Ref. No. of desired part in the list, then find the part number of the applicable product from SPEC. No. in the part name column. Also you can get necessary information such as dimensions from the REMARKS column.